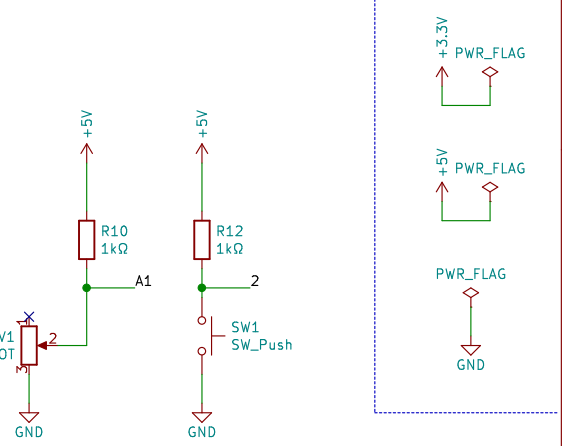
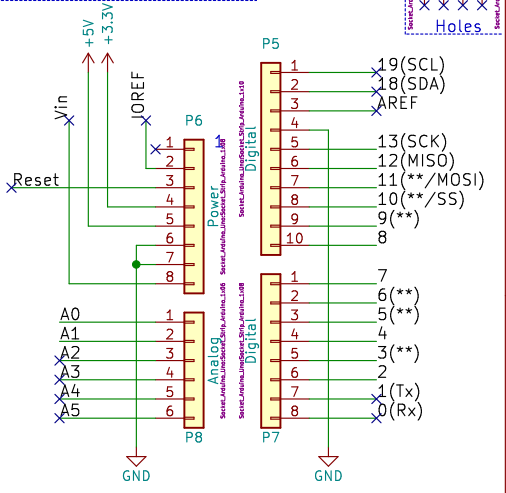
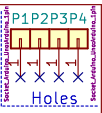


Shield for Arduino that uses the same pin disposition like "Uno" board Rev 3.



Weekly Engineering	
Sheet: /	
File: 230129_led_cube.sch	
Title: LED Cube Shield	
Size: A4	Date: 2023-02-24
Copyright (c) 2023 Weekly Engineering	Rev: 1
KiCad E.D.A. eeschema (5.1.12)-1	Id: 1/1